

Junior Timer valve 90° LED+VDR with cable

RADOX EM 104 2x0.75 bk 10m

Female 90°

12...24 V AC/DC

LED and VDR

with cable sleeves

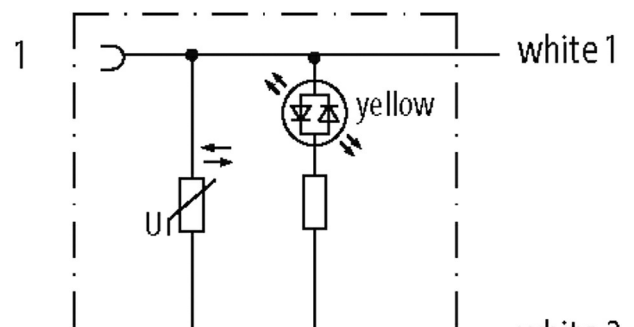
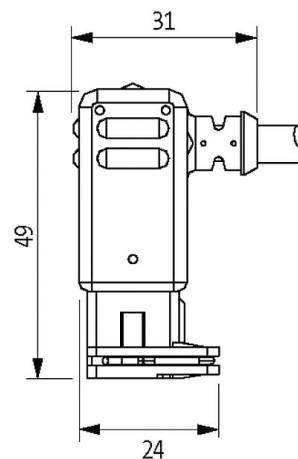
Plastic housings with good resistance against chemicals and oils.

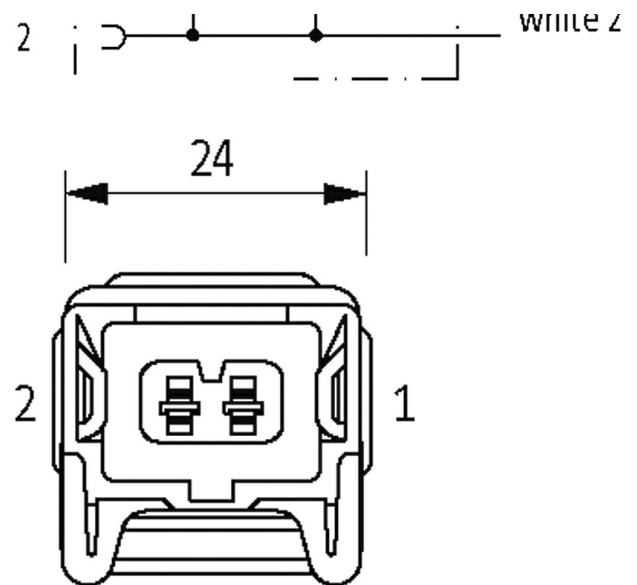
The resistance to aggressive media should be individually tested for your application. Further details on request.

Further cable lengths on request.

[Link to Product](#)

Illustration





Product may differ from Image

Form

Form 70361

General data

| | |
|---------------------------|--|
| Pollution Degree | 3 |
| Stripping length (jacket) | 50 mm |
| Temperature range | -25...+85 °C, depending on cable quality |

Cables

| | |
|-------------------------------------|------------------------------|
| Cable identification | R21 |
| Approval (cable) | DIN EN 45545-2, CE conform |
| Cable weight [g/m] | 48,40 |
| Material (wire) | Cu wire, tin plated |
| Resistor (core) | max. 26 Ω /km (20 °C) |
| Single wire \varnothing (core) | 0.23 mm |
| Construction (core) | 19x 0.23 mm |
| Diameter (core) | 2x 0.75 mm ² |
| AWG | similar to AWG 18 |
| Material (wire isolation) | Radox EI 303 |
| Wire- \varnothing incl. isolation | 1.62 mm \pm 5% |
| Color/numbering of wires | wh (bk num) |
| Stranding combination | 2 wires twisted |
| Shield | no |
| Material (jacket) | Radox EM 104 |
| Outer- \varnothing (jacket) | 4.75 mm \pm 5% |
| Color (jacket) | black |
| Nominal voltage | 600/1000 V AC |
| Test voltage | 3500 V AC |
| Current load capacity | according to DIN VDE 0298-4 |
| Temperature range (fixed) | -50...+120 °C |
| Temperature range (mobile) | -25...+90 °C |
| Bend radius (fixed) | 3x outer- \varnothing |
| Bend radius (moving) | 4x outer- \varnothing |

Jacket Color black

Technical Data

| | |
|-------------------------------|--------------------------------|
| Operating voltage | 12...24 V AC/DC |
| Rated surge voltage | 0.8 kV |
| Operating current per contact | max. 4 A |
| Material group | IEC 60664-1, category I |
| LED display | yellow |
| Housing | Black plastic, flame retardant |
| Additional suppressor | VDR |

Commercial data

| | |
|-----------------------|---------------|
| country of origin | DE |
| customs tariff number | 85444290 |
| EAN | 4048879698948 |
| eClass | 27279221 |
| Packaging unit | 1 |